

Count on Bergstrom

Right parts. Right price. Right on time.



**Introducing the HD-1000 Air Conditioner &
HD-1000 Air Conditioner/Heater Kombo**



HD-1000 Air Conditioner HD-1000 AC/Heat Kombo



Features

- Heavy duty rooftop mount heater-A/C
- Heavy duty steel construction
- Durable double wheel plastic blower
- Light integrated headliner control panel
- Variable speed blower switch
- Adjustable thermostat and water valve controls
- Integrated receiver dryer and single fan condenser
- High and low pressure switch
- Fresh air filter option
- Available in 12 or 24 voltages

Weights & Dimensions

- Weight (A/C Only) 85 lbs
38.6 kg
- Weight (Kombo) 88 lbs
40 kg
- Width (w/o Fresh Air Filter) 26.3 in
667 mm
- Width (w/Fresh Air Filter) 31.8 in
808 mm
- Height 11.6 in
295 mm
- Depth 27.9 in
709 mm



Technical Specifications

- Performance

Cooling 90 °F (32.2 °C)DB @ 70% RH

Kombo 25,900 BTU/h
7.6 kW

A/C Only 23,000 BTU/h
6.8 kW

Heating SAE J638 @ 18.2 LPM (4.8 GPM)

Kombo 34,000 BTU/h
10.0 kW

- Air Flow

HVAC Blower 315 SCFM
535 SCMH

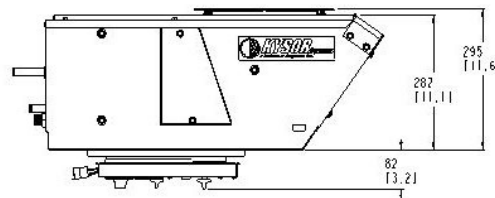
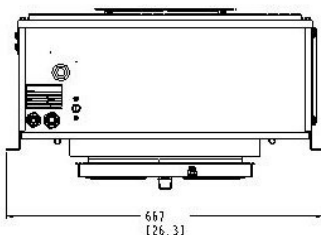
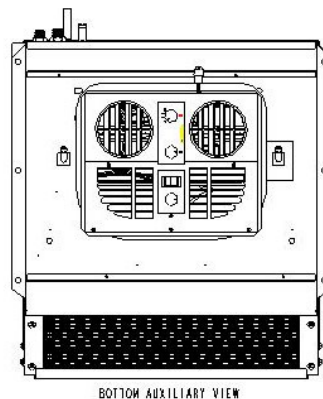
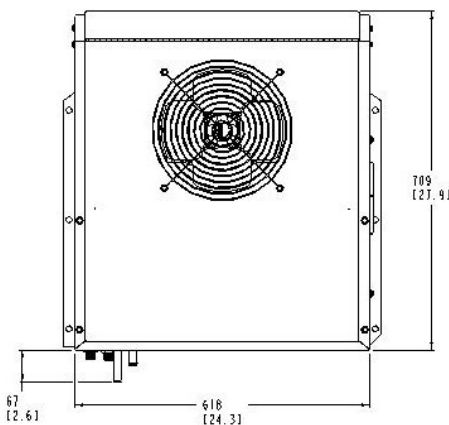
Condenser Fan 750 SCFM
1,275 SCMH

- Current Draw

32 Amps @ 13.8 VDC
16 Amps @ 27.6 VDC

Warranty

- 1 year limited warranty on parts and labor



Availability is subject to change without notice.
Bergstrom reserves the right to change the design or specifications without notice and without any obligation or liability whatsoever. ©2012 rev/8/12

Applications

- Industrial Vehicles
- Heavy Duty Off-Highway Equipment
- Mining Vehicles

www.bergstrominc.com

2390 Blackhawk Road
Rockford, IL 61125
800.499.6849