



## Premium **EM-2**

The premium EM-2 ceiling mount air-conditioning evaporator comes with the industry's most modern, efficient and high technology, such as transverse blower technology and long life

motors. Yet, it's still very easy to service and to install thanks to its smart design. The premium EM-2 is the lowest profile and lightweight evaporator on the market.

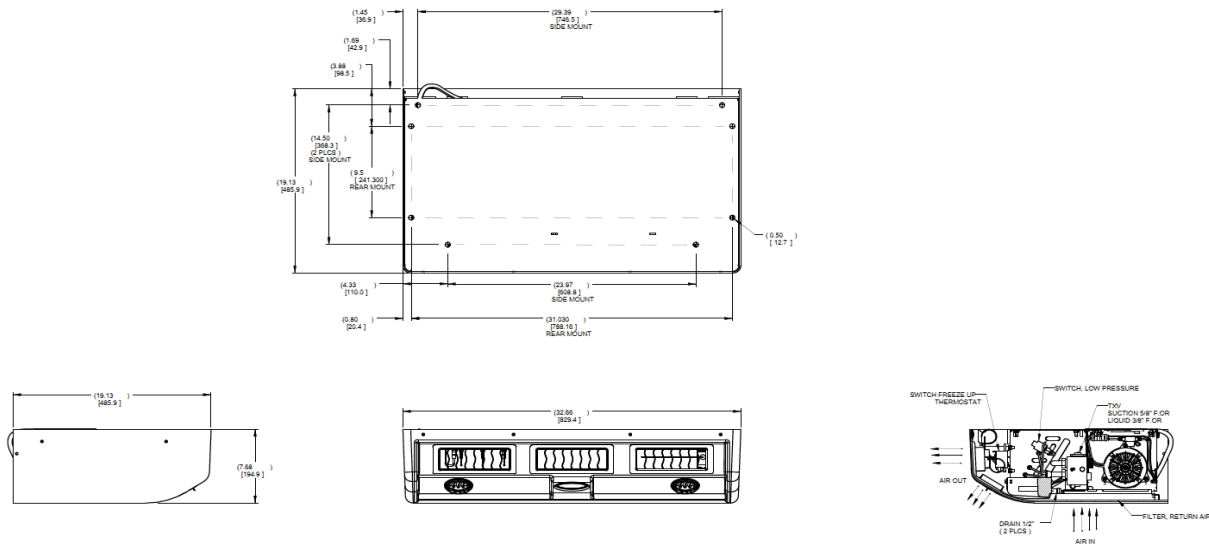


### Features

- Transverse blower technology
- New extreme long life motors
- Available for front and rear ceiling mount
- Galvanized steel frame
- State of the art enhanced coil
- Attractive plastic cover available in two colors

### Benefits

- Provides uniform air flow across the slanted coil which increases evaporator performance and efficiency.
- Lowest noise levels and maximum air throw
- Offers unparalleled 10,000 hours usage
- Flexible to fit any application
- Strength and durability
- Maximum capacity and efficiency



## Technical Data

|                             |   |
|-----------------------------|---|
| Cooling capacity            | 45000 Btu/hr (11.4 kW) IMACA <sup>[1]</sup><br>18500 Btu/hr (4.7 kW) ARI <sup>[2]</sup> |
| Max amperage requirement    | 27 A @ 13.5 V dc (High Speed) Voltage   |
| Air flow                    | 552 CFM (938 m <sup>3</sup> /hr) <sup>[3]</sup>   |
| Refrigerant                 | R134a   |
| Length                      | 32.66 (829 mm)  |
| Width                       | 19.13 (486 mm)  |
| Height                      | 7.68 (195 mm)   |
| Weight                      | 50 lbs (22 kg)  |
| Condensate drain connection | ½ (12.7 mm) O.D (dual drains)   |
| Cover color                 | Snow White or Dove Gray   |

[1] IMACA conditions: 100°F (38°C) / 90°F (32°C) / 50% RH

[2] ARI conditions: 95°F (35°C) / 80°F (27°C) / 50% RH

[3] Airflow is at tested super high speed with cover and louvers fully installed, 0" static, 13.5 VDC

